

BRASS SPRING CHECK VALVE BRASS DISC NBR GASKET FEMALE BSP ACS 4MS

All positions spring brass check valve 4MS for drink water, heating, compressed air and domestic fuel oil.
CW617N-4MS brass body, brass disc with NBR gasket for an excellent low and high pressure tightness.
Perfect centering of the throttle on the seat thanks to the double axial and lateral guidance



Size : DN3/8" to DN4"
Connection : Female BSP
Min Temperature : -10°C
Max Temperature : +100°C
Max Pressure : 25 Bars
Specifications : All positions
Female/Female
Brass disc
NBR gasket
Low head loss

Materials : Brass body CW617N-4MS according to EN 12165

BRASS SPRING CHECK VALVE BRASS DISC NBR GASKET FEMALE BSP ACS 4MS

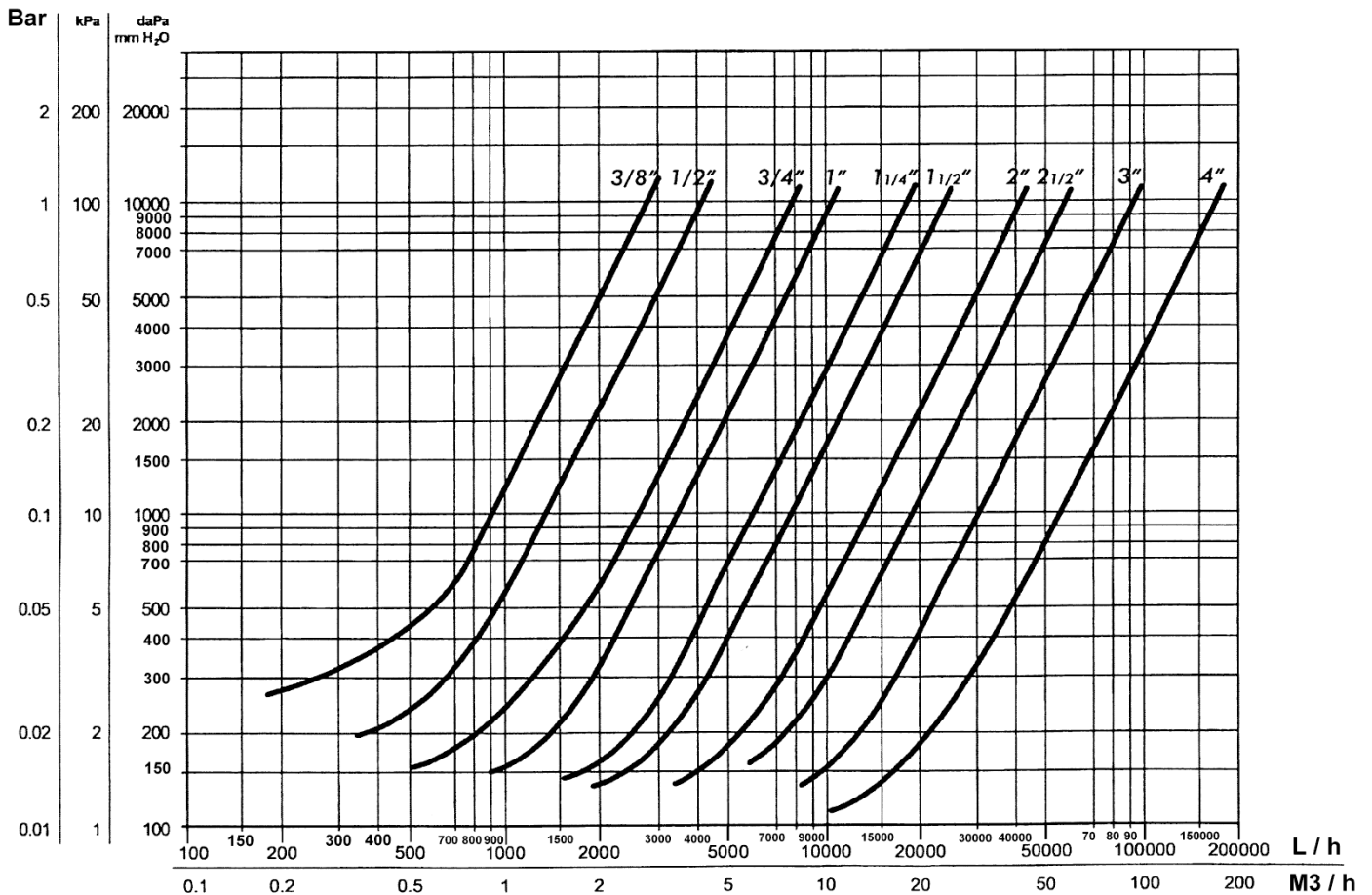
SPECIFICATIONS :

- All positions (respect the flow direction indicated by the arrow)
- Female / female type
- Brass throttle
- Perfect centering of the throttle on the seat thanks to the double axial and lateral guidance
- Low opening pressure
- Better mechanical strength thanks to the brass CW617N-4MS body
- All positions with AISI 304 spring
- Excellent low and high pressure tightness thanks to the NBR gasket

USE :

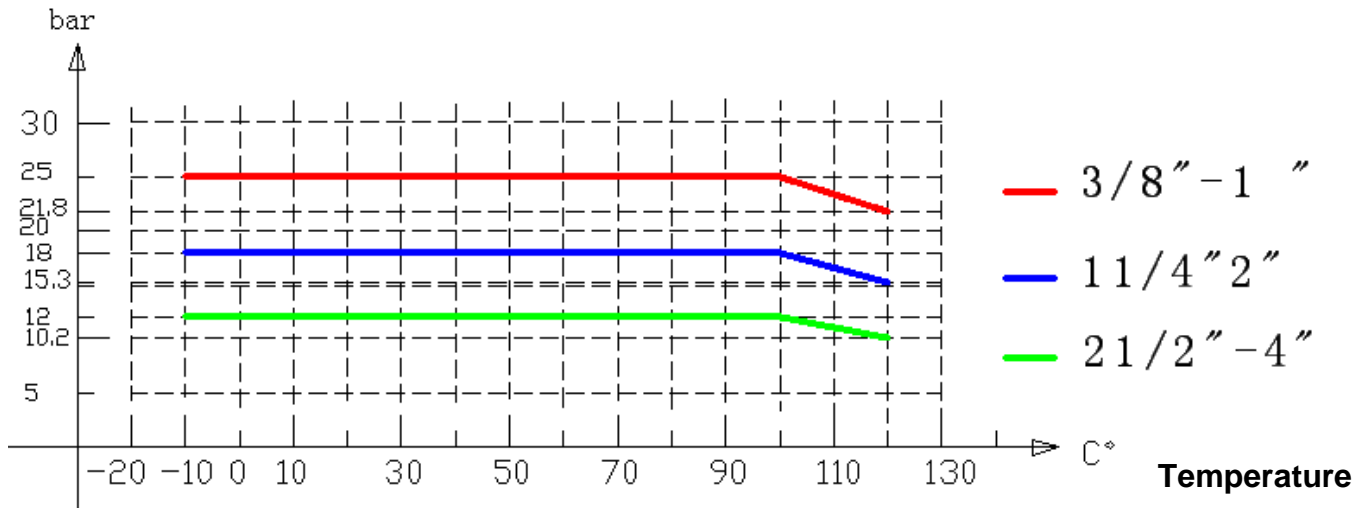
- Heating, drinking water, compressed air, domestic fuel oil
- Min Temperature Ts : - 10°C
- Max Temperature Ts :+ 100°C
- Max Pressure Ps : 25 bars up to DN 1" , 18 bars 1"1/4 to 2" and 12 bars over

HEAD LOSS :



BRASS SPRING CHECK VALVE BRASS DISC NBR GASKET FEMALE BSP ACS 4MS

PRESSURE / TEMPERATURE GRAPH (STEAM EXCLUDED):



OPENING PRESSURE :

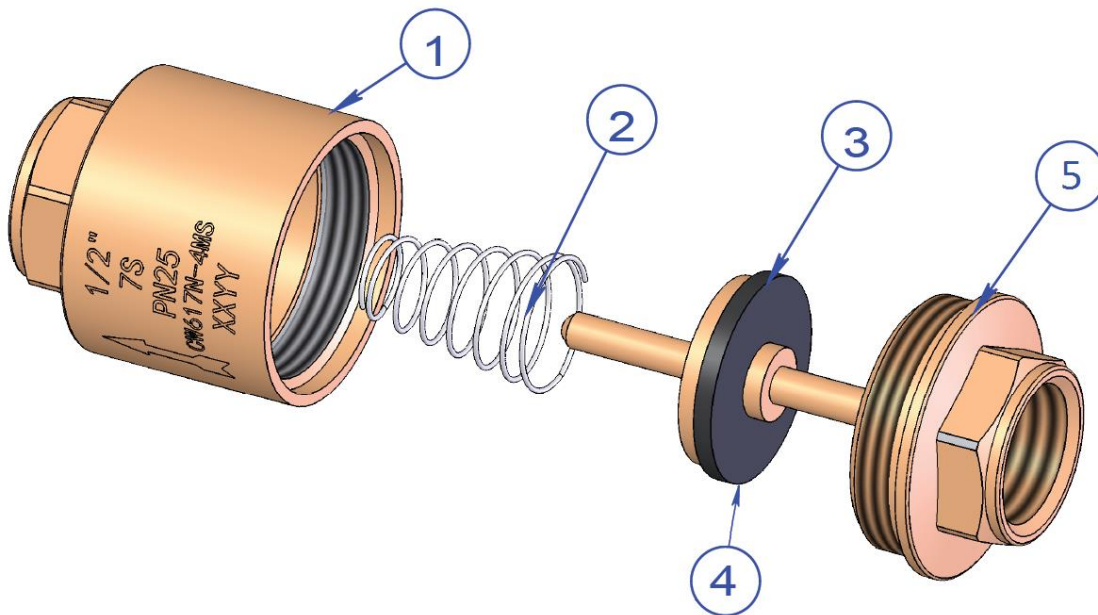
- Opening pressure between 20 and 200 mbar

RANGE :

- Threaded female BSP cylindrical DN 3/8" to DN 4"

BRASS SPRING CHECK VALVE BRASS DISC NBR GASKET FEMALE BSP ACS 4MS

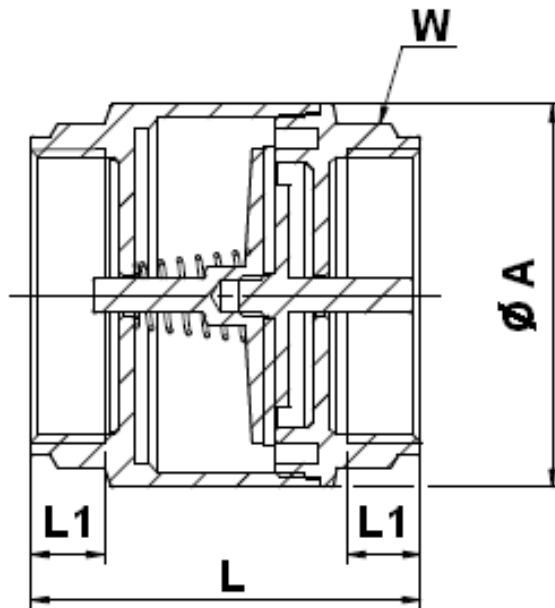
MATERIALS:



Item	Designation	Materials
1	Body	Brass CW 617N-4MS according to EN 12165
2	Spring	AISI 304
3	Throttle	Brass CW 617N-4MS according to EN 12165
4	Gasket	NBR
5	Bonnet	Brass CW 617N-4MS according to EN 12165

BRASS SPRING CHECK VALVE BRASS DISC NBR GASKET FEMALE BSP ACS 4MS

SIZE (in mm) :



DN	3/8"	1/2"	3/4"	1"	1"1/4	1"1/2	2"	2"1/2	3"	4"
Ø A	30	30	37	44.5	55	62	78	97	111	140
L	41.5	47.5	51	58	64	71	79.5	94	102	123
L1	9	11	11	12	14	16	15	20	22	23.5
W	19.5	24.5	30	37	47	53.5	67	82	95	120
Weight (Kg)	0.11	0.12	0.18	0.29	0.4	0.58	0.9	1.54	2.08	3.35
Ref.	307003	307004	307005	307006	307007	307008	307009	307010	307011	307012

BRASS SPRING CHECK VALVE BRASS DISC NBR GASKET FEMALE BSP ACS 4MS**STANDARDS :**

- Manufacturer certified ISO 9001 :2015 and ISO 14001 : 2015
- DIRECTIVE 2014/68/EU : Products excluded from directive (Article 4, § 3)
- French water agreement **A.C.S. N° 17 ACC LY 543**
- Threaded female BSP cylindrical ends according to ISO 228-1

ADVICE : Our opinion and our advice are not guaranteed and SFERACO shall not be liable for the consequences of damages.
The customer must check the right choice of the products with the real service conditions.